

Toroidal, Panel Mounted Voltage Transformer

The **TV63E01** Series of toroidal, PCB mounted voltage transformer is designed for application where an AC current signal must be transformed into lower AC voltage signal appropriate for micro-processor based circuits.

The TV63E01 series are designed specifically for integration into products which require exceptionally accurate signal transformation with low phase shift while exposed to harsh environmental operating conditions.



Specifications:

- **Primary:** 150, 200, 220, 300VAC or 380VAC
- **Secondary:** Options: 100mV to 7.07 V @ rated voltage
- Frequency: 50 to 400 Hz
- Dielectric Resistance: 1,000 Mohms @ 500 VDC
- Isolation Voltage: 2500 Vrms for 1 minute @0.5 mA.
- Surge withstand potential: 5000V (1.2/50μ second standard shock wave)
- Operating Temperature: -25°C to +55° C
Optional: -40°C to +85° C
- Construction:
 - Case Material: PBT Resin, UL 94 V-0
 - Interior Insulation: Epoxy resin

- Leads: 0.61m (2.0FT).AWM 1015, 600V, Twisted Pair;
 - Primary: 0.50mm² (20AWG),
 - Secondary: 0.34mm² (22AWG),
- Lead termination: Stripped and tinned.
- RoHS compliant



Performance:

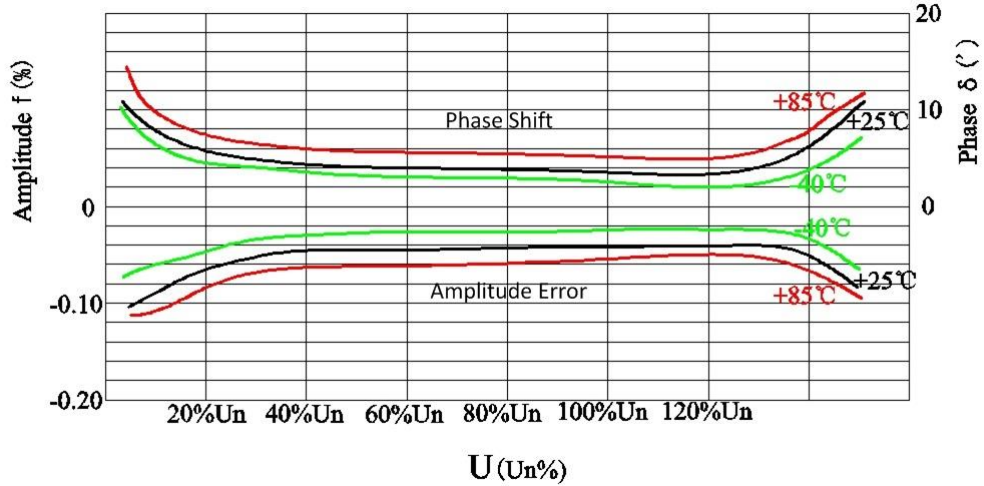
- Accuracy Class: 0.1L (IEC 60044-2 Part 2 Voltage Transformers Class 0.1)
- Linearity: 5% to 120% of Rated Voltage
- Voltage error @ Rated Voltage: ≤ ± 0.1%
- Phase shift @ Rated Voltage: ≤ 5'
- Excitation Current: ≤ 0.5 mA
- Secondary burden resistance: 100 kOhm

Zibo YUANXING Electronics Co., LTD
Pioneering Park, Science & Technology Industry Zone
Zhangdian, Zibo, Shandong Province 255095
P.R.C.
Telephone: +86-533. 381.8450 Fax: +86-533.381.8724
sales@yuanxing.net www.yuanxing.net

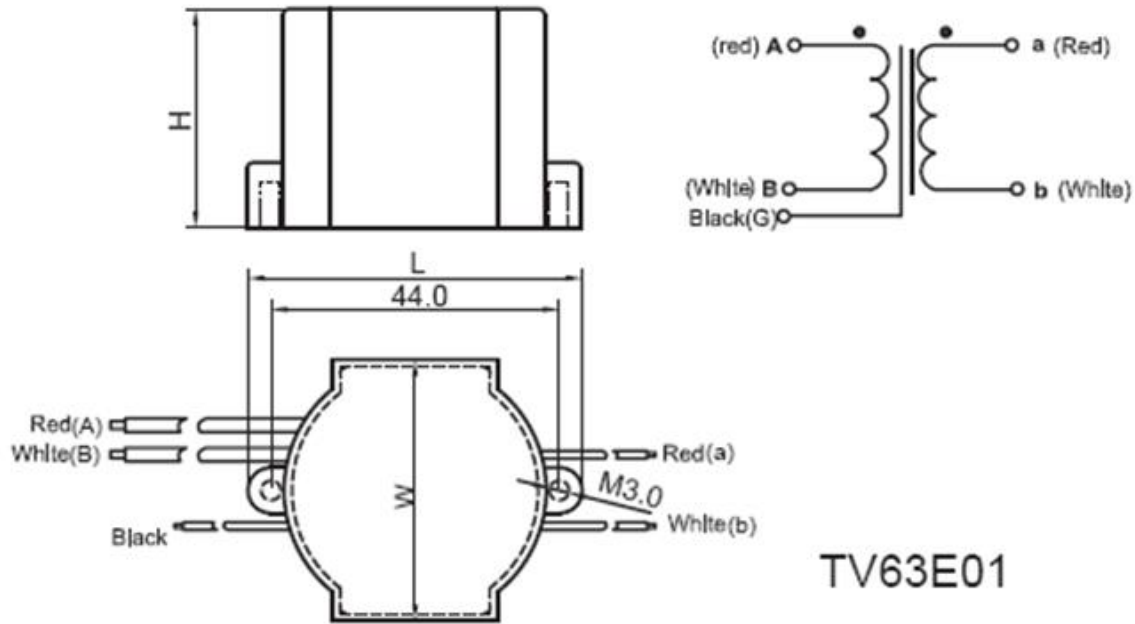
T.I. Chen Associates LLC.
83 East Road
Tacoma, Washington 98406-7630
USA
Telephone: 253.678.2661
sales@tichenassociates.com

FAX: 206.350.6482
www.TIChenAssociates.com

Typical Performance (Primary = 120VAC FS, $R_{Load} \geq 100\text{ kOhm}$)



Outline Drawing:



L	W	H
51.0mm (2.0")	40.0mm (1.6")	33.5mm (1.3")

Zibo YUANXING Electronics Co., LTD
Pioneering Park, Science & Technology Industry Zone
Zhangdian, Zibo, Shandong Province 255095
P.R.C.
Telephone: +86-533. 381.8450
sales@yuanxing.net

Fax: +86-533.381.8724
www.yuanxing.net

T.I. Chen Associates LLC.
83 East Road
Tacoma, Washington 98406-7630
USA
Telephone: 253.678.2661
sales@tichenassociates.com

FAX: 206.350.6482
www.TIChenAssociates.com

NOTE: The TV63E01 Series of PCB mounted voltage transformers are bulk packed. Purchase order quantities should be in increments of the bulk packaging quantities:

- TV63E01 – __ pc increments, __ pcs per bulk pack
(Bulk pack box = 0.015CBM, __ kg)

Custom toroidal voltage transformer designs are available to meet the specific application requirements. For a no obligation technical evaluation, please provide the specific performance requirements to engineering@tichenassociates.com or the address below.

Zibo YUANXING Electronics Co., LTD

Pioneering Park, Science & Technology Industry Zone
Zhangdian, Zibo, Shandong Province 255095
P.R.C.

Telephone: +86-533. 381.8450

sales@yuanxing.net

Fax: +86-533.381.8724

www.yuanxing.net

T.I. Chen Associates LLC.

83 East Road
Tacoma, Washington 98406-7630
USA

Telephone: 253.678.2661

sales@tichenassociates.com

FAX: 206.350.6482

www.TIChenAssociates.com