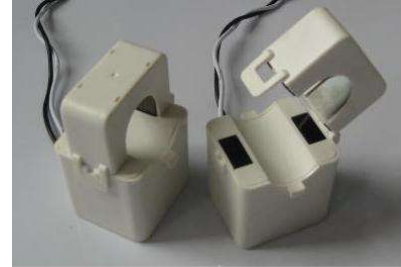


Miniature Split Core Current Transformer

The **CTSA035** Series of low cost miniature split-core current transformers are designed for fast and easy installation. The split-core design permits non-contact current measurements through magnetic field induction without requiring that the primary wire be taken offline and disconnected for CT installation. This method permits a safer, easier, and portable current measurement.



The relatively small physical size accommodates applications where the installation of the CT will be in physically small spaces.

Miniature split-core current transformers models:

CTSA010 Series – 10.2mm (0.40”) opening
CTSA016 Series – 16.2mm (0.64”) opening
CTSA024 Series – 24.2mm (0.95”) opening
CTSA035 Series – 35.2mm (1.39”) opening

Features:

Rated Primary Current: 200A to 500A.

Secondary Output: 0.333V @ rated current
(Optional: 0.100V to 3.5V @ rated current).

Optional: mA secondary output, standard winding ratios;

- - 1:1000, 1:2000, 1:2500, 1:3000

Maximum: 1:8000

TVS device configured across the secondary to dissipate stored energy should the current transformer be opened while “live”.

Specifications:

- Frequency: 50 to 400Hz.
- Maximum operating voltage: 600VAC.
- Dielectric withstand voltage: 4,000V for 10 seconds.
- Dielectric resistance: 100 MOhms @ 500 VDC

83 East Road
Tacoma, Washington 98406-7630
USA

sales@tichenassociates.com

- Operating Temperature: -20°C to +55°C.
- Construction:
 - Core material: silicon steel CRGO.
 - Case material – UL flame retardant rating 94 V-0.
- Leads: 0.61m (2Ft), AWM 1015, Twisted Pair, 0.34mm² (22AWG), 600V.
- UL Recognition Certification (E466650)
- RoHS compliant.



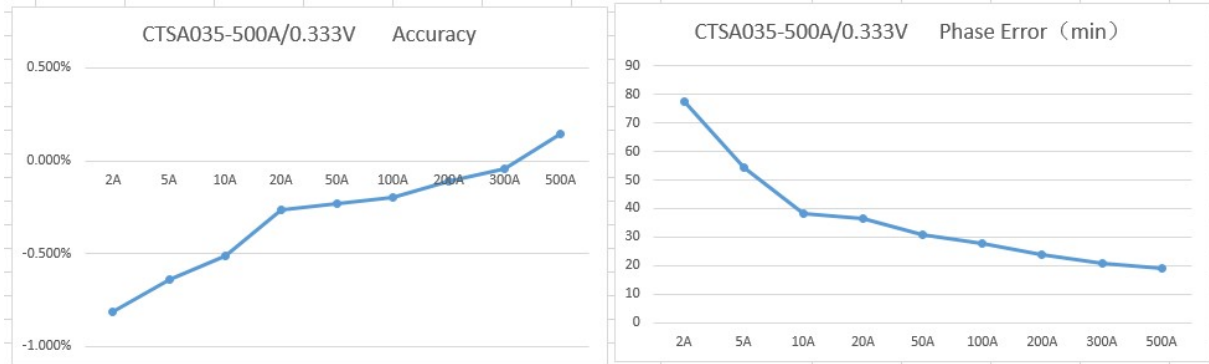
Performance:

- Accuracy Class: 0.5, 1.0 (IEC 61869-2)
- Accuracy: $\pm 1.0\%$
- Phase Shift: ≤ 60 minutes with 10 ohms burden.
- Linearity: $\pm 1\%$ from 5% to 120% of rated primary current.

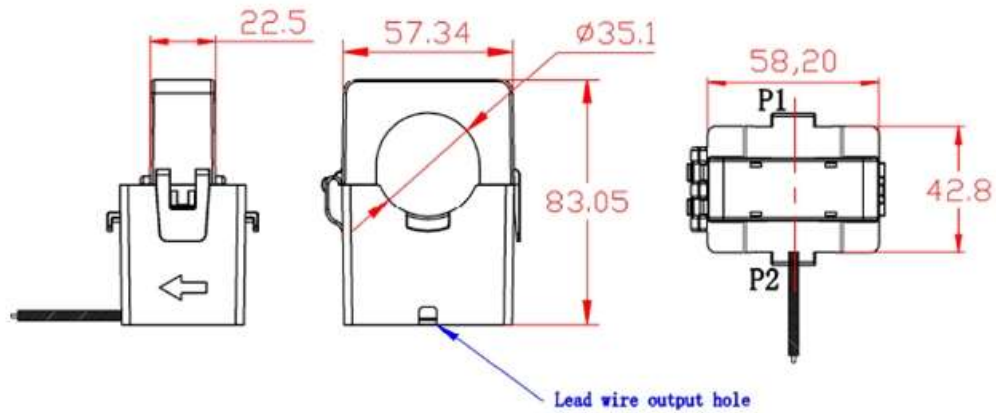
Telephone: 253.678.2661
FAX: 206.350.6482

www.TIChenAssociates.com

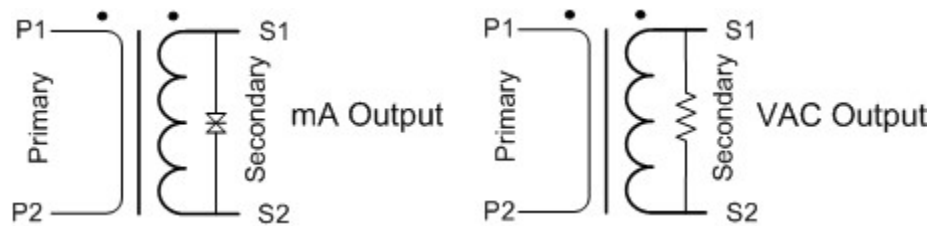
Typical Performance – CTSA035-500A/ 0.333V:



Outline Drawing:



Polarity:



Custom split-core current transformer designs are available to meet the specific application requirements. For a no obligation technical evaluation, please provide the specific performance requirements to engineering@tichenassociates.com or the address below.