

Toroidal Current Transformer

Features:

Seven (7) Standard Sizes:

- CTT1611 – 16.3mm (0.64") opening,
- CTT2511 – 25.4mm (1.00") opening,
- CTT3911 – 39.6mm (1.56") opening,
- CTT5211 – 52.3mm (2.06") opening,
- CTT6311 – 63.5mm (2.50") opening,
- CTT8211 – 82.6mm (3.25") opening,
- CTT1A11 – 108.0mm (4.25") opening.

Four (4) configuration options:

- L – Wire leads,
- T – Terminals,
- LC – Wire leads and mounting plate,
- LT – Terminals and mounting plate.

Specifications:

- Frequency: 50 to 400Hz
- Maximum operating voltage: 600VAC.
- Isolation voltage 10k VAC for 1 minute.
- Operating Temperature: -25°C to +55° C
Optional: -40°C to +85° C
- Construction:
 - Epoxy encapsulated housing
 - Case material: PBT or ABS
 - Wire Leads: 0.61m (2Ft), UL 1015,
Twisted Pair, 0.34mm² (22AWG).



- CE Approved
- RoHS compliant.



Performance:

- Accuracy Class: 0.1, 0.2, 0.5, 1.0, 3.0 (IEC 60044-1)
- Accuracy: $\leq \pm 0.1\%$ @ Rated Current
- Phase shift: $\leq 10'$ @ Rated Current
- Linearity: 5% to 120% of Rated Current

Options:

- Optional primary to secondary ratios:
 - xxxx to 1A at rated current,
 - xxxx to 5A at rated current,
 - xxxx to 0.2A at rated current,
 - xxxx to 0.1A at rated current.
- **Optional:** Polyester film covering in lieu of case.

Custom toroidal current transformer designs are available to meet the specific application requirements. For a no obligation technical evaluation, please provide the specific performance requirements to engineering@tichenassociates.com or the address below.

83 East Road
Tacoma, Washington 98406-7630
USA

sales@tichenassociates.com

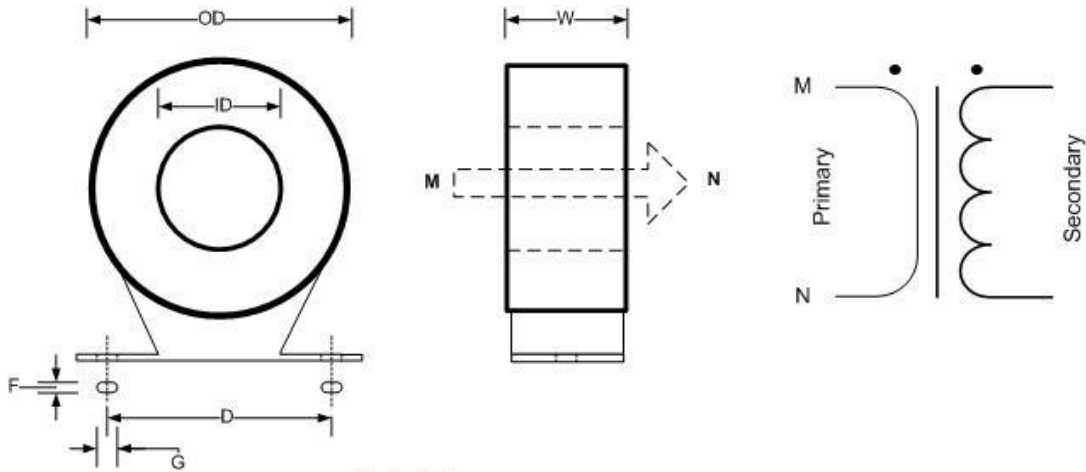
Telephone: 253.678.2661
FAX: 206.350.6482

www.TiChenAssociates.com

Configuration Options:

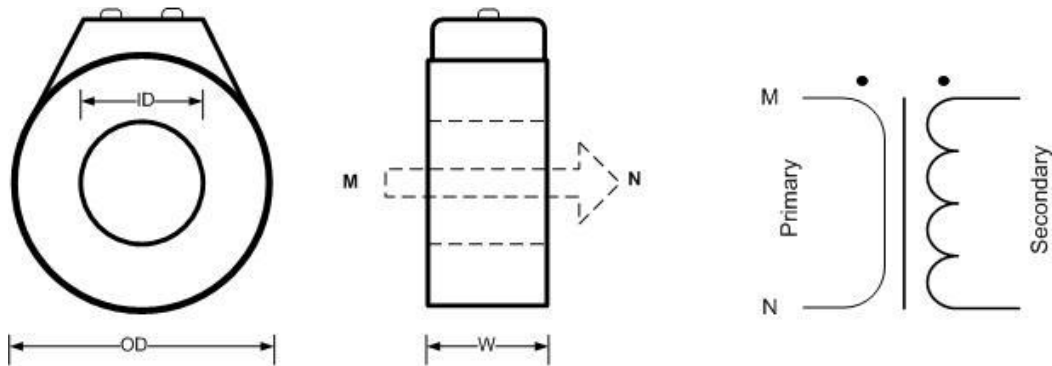
Ratio	Secondary Burden Impedance				
	2.5 VA	5.0 VA	12.5 VA	22.5 VA	50 VA
100:5	3.0	-	-	-	-
150:5	1.0	3.0	-	-	-
200:5	0.5	1.0	-	-	-
250:5	0.5	1.0	1.0	-	-
300:5	0.5	0.5	1.0	3.0	-
400:5	0.2	0.2	0.5	1.0	-
500:5	0.2	0.2	0.5	1.0	-
600:5	0.2	0.2	0.5	0.5	1.0
750:5	0.2	0.2	0.5	0.5	1.0
800:5	0.2	0.2	0.5	0.5	1.0
1000:5	0.2	0.2	0.2	0.5	1.0
1200:5	0.2	0.2	0.2	0.2	0.5
1500:5	0.2	0.2	0.2	0.2	0.5
1600:5	0.2	0.2	0.2	0.2	0.5

Outline Drawing:



Style LC

	ID	OD	W	D	F	G
LC ($\leq 600:5$)	63.5mm (2.50")	123.2mm (4.85")	27.9mm (1.10")	165.0mm (6.5")	6.4mm (0.25")	7.9mm (0.31")
LC ($\geq 750:5$)			54.6mm (2.15")			



Style T
(terminal)

	ID	OD	W	D	F	G
T ($\leq 600:5$)	63.5mm (2.50")	123.2mm (4.85")	27.9mm (1.10")			
T ($\geq 750:5$)			54.6mm (2.15")			